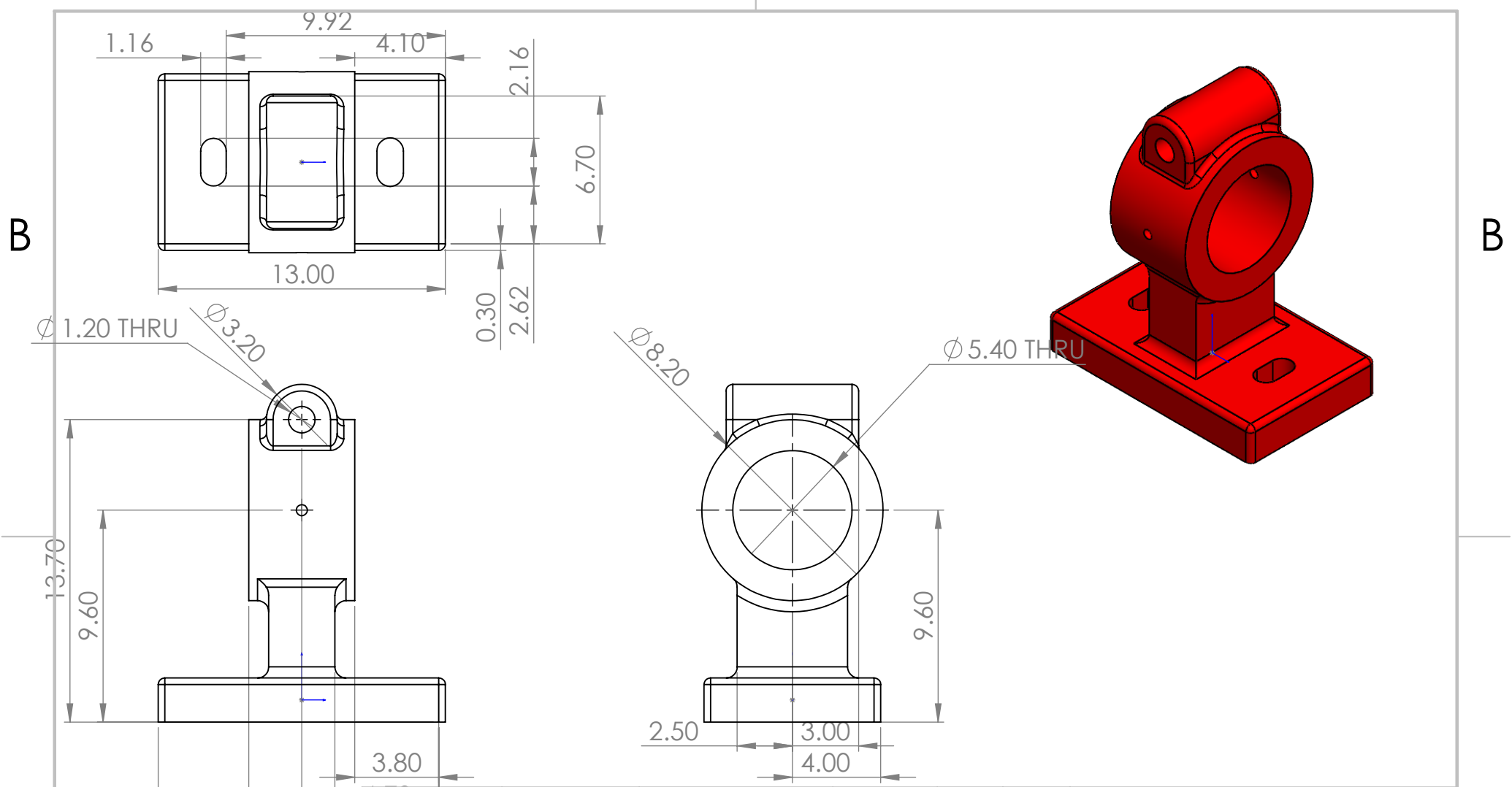


2 1



<p>PROPRIETARY AND CONFIDENTIAL THE INFORMATION CONTAINED IN THIS DRAWING IS THE SOLE PROPERTY OF <INSERT COMPANY NAME HERE>. ANY REPRODUCTION IN PART OR AS A WHOLE WITHOUT THE WRITTEN PERMISSION OF <INSERT COMPANY NAME HERE> IS PROHIBITED.</p>				UNLESS OTHERWISE SPECIFIED:				<COMPANY NAME>	
				DIMENSIONS ARE IN INCHES TOLERANCES: FRACTIONAL ± ANGULAR: MACH ± BEND ± TWO PLACE DECIMAL ± THREE PLACE DECIMAL ±		DRAWN CHECKED ENG APPR. MFG APPR. Q.A. COMMENTS:		TITLE:	
NEXT ASSY		USED ON		INTERPRET GEOMETRIC TOLERANCING PER:				SIZE DWG. NO. REV	
APPLICATION				MATERIAL				A PART1	
				FINISH				SCALE: 1:2 SHEET 1 OF 1	
				DO NOT SCALE DRAWING					